

## Stainless steel thermowell

Stainless steel thermowell with G 1/2" external thread and integrated compression fitting for ease of installation for immersion and cable temperature sensors 01DT.., 22DT.., 01CT.., 22CT..



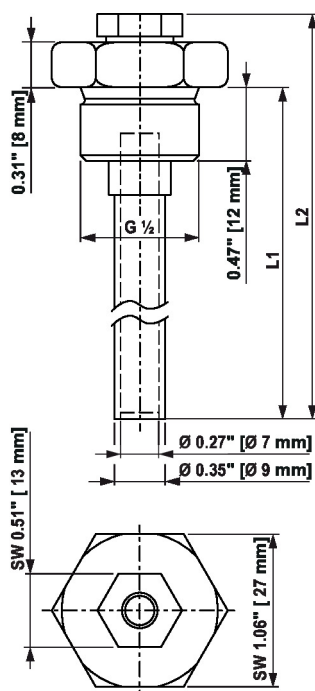
## Type Overview

Type	Thermowell length	Thermowell diameter	Max. flow velocity	Weight
A-22P-A06	50 mm	9 mm	29.5 m/s	0.065 kg
A-22P-A08	100 mm	9 mm	13.6 m/s	0.075 kg
A-22P-A10	150 mm	9 mm	8.7 m/s	0.085 kg
A-22P-A12	200 mm	9 mm	5.4 m/s	0.095 kg
A-22P-A29	250 mm	9 mm	4.5 m/s	0.10 kg
A-22P-A14	300 mm	9 mm	2.4 m/s	0.11 kg
A-22P-A16	450 mm	9 mm	1.0 m/s	0.14 kg

## Technical data

<b>Functional data</b>	Application	Water Water-glycol mixture
	PN	40
<b>Materials</b>	Probe material	Stainless steel
	Thermowell material	Turned part: V4A (1.4404) Pipe: V4A (1.4571) Pressure screw: Polyamide (PA66/GF25)
<b>Safety data</b>	Quality Standard	ISO 9001
	Fluid temperature	Up to max. 200°C

## Dimensions



Typ	L1	L2
A-22P-A06	1.41" [36 mm]	1.93" [49 mm]
A-22P-A08	3.38" [86 mm]	3.90" [99 mm]
A-22P-A10	5.35" [136 mm]	5.87" [149 mm]
A-22P-A12	7.32" [186 mm]	7.83" [199 mm]
A-22P-A29	9.29" [236 mm]	9.80" [249 mm]
A-22P-A14	11.26" [286 mm]	11.77" [299 mm]
A-22P-A16	17.16" [436 mm]	17.68" [449 mm]