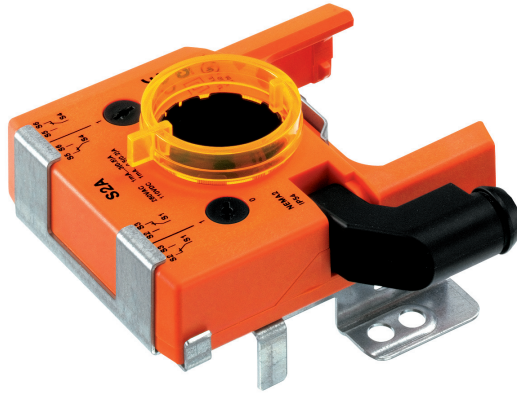


Auxiliary switch unit, suitable on the spring-return actuators NF..A., SF..A., LF..

- two switches (SPDT)
- adjustable switching points
- including adapter


Technical data

Electrical data	Auxiliary switch	2 x SPDT
	Switching capacity auxiliary switch	1 mA...3 (0.5) A, AC 250 V
	Switching points auxiliary switch	Adjustable across the entire range of rotation 0...1 of the actuator. Presetting with scale possible.
	Connection auxiliary switch	Cable 1 m, 6 x 0.75 mm ²
Safety	Protection class IEC/EN	II protective insulated
	Degree of protection IEC/EN	IP54
	Low-voltage directive	CE according to 2006/95/EC
	Certification IEC/EN	Certified to: IEC/EN 60730-1 and IEC/EN 60730-2-14
	Mode of operation	Type 1.B
	Control pollution degree	3
	Ambient temperature	-30...50°C
	Non-operating temperature	-40...80°C
	Ambient humidity	95% r.h., non-condensing
	Maintenance	Maintenance-free
Weight	Weight approx.	0.14 kg

Safety notes

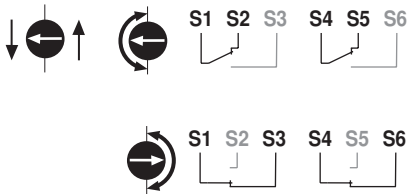
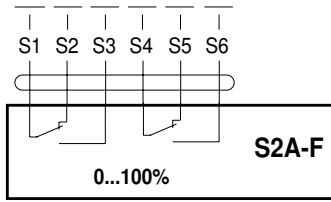

- The device must not be used outside the specified field of application, especially not in aircraft or in any other airborne means of transport.
- It may only be installed by suitably trained personnel. Any legal regulations or regulations issued by authorities must be observed during assembly.
- The device may only be opened at the manufacturer's site. It does not contain any parts that can be replaced or repaired by the user.
- The cable must not be removed from the device.
- The device contains electrical and electronic components and is not allowed to be disposed of as household refuse. All locally valid regulations and requirements must be observed.

Product features

Mode of operation	A carrier plate uses adaption to make a positive fit on the spring-return actuator and transfers the rotary movement directly to the feedback potentiometer. Switching points can be freely selected with an adjustment dial. The current switch position can be read off at any time.
Application	The auxiliary switch unit is used for signaling the position or for exercising switching functions in any given angle setting.
Direct mounting	The auxiliary switch unit is connected directly by means of adaption with the hollow shaft (LF., NF..A., SF..A..) of the actuator. Once it is mounted, the unit is screwed to the actuator. The spindle clamp is mounted on the underside.

Electrical installation

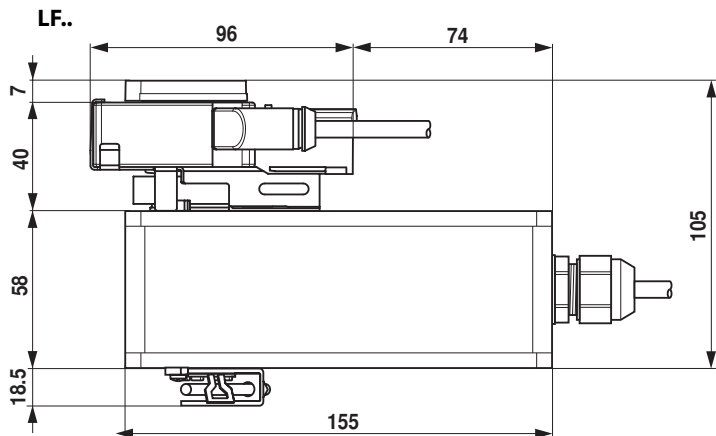
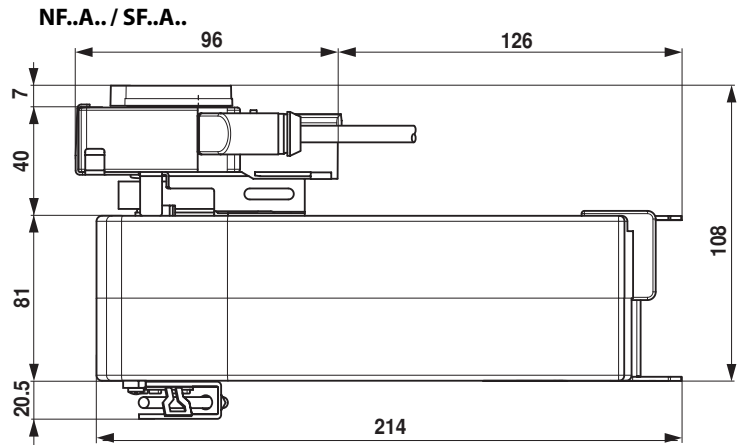
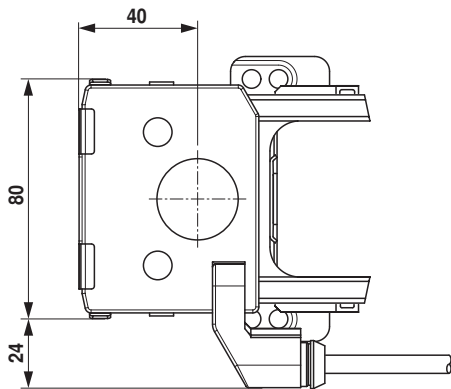
Wiring diagrams



Cable colours:
 S1 = violet
 S2 = red
 S3 = white
 S4 = orange
 S5 = pink
 S6 = grey

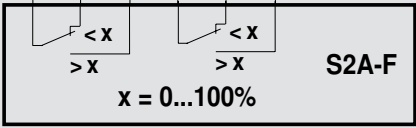
Dimensions [mm]

Dimensional drawings



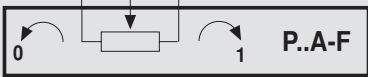
S2A-F

S1 S2 S3 S4 S5 S6

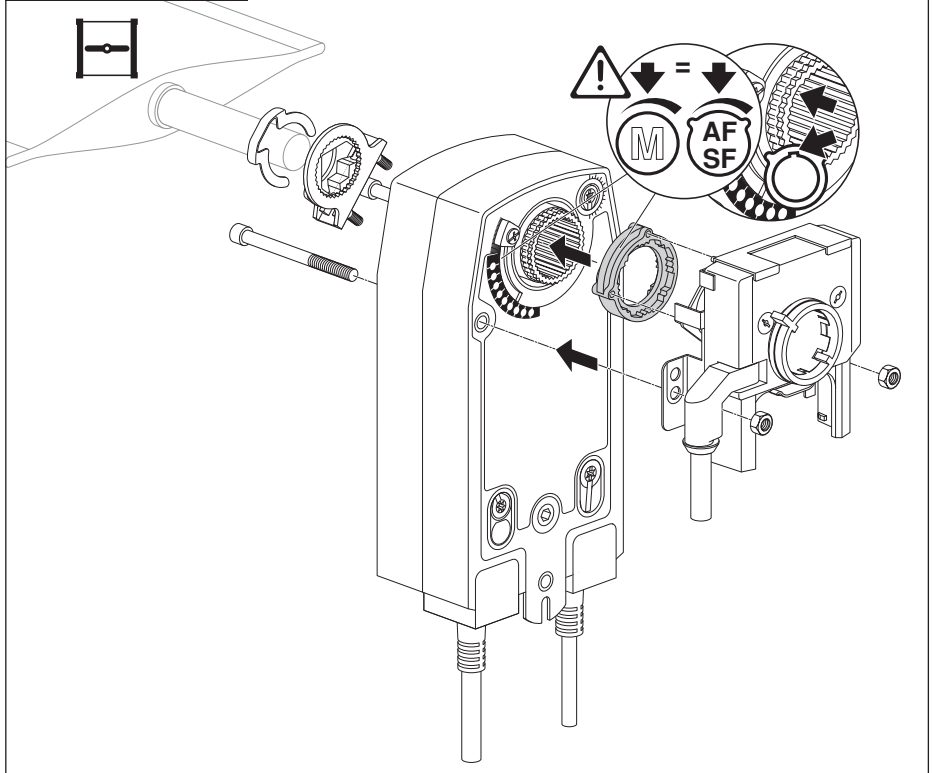


P..A-F

S1 S2 S3



NF..A.. / SF..A..



LF..

