

Communicative globe valve actuator for 2-way and 3-way globe valves

- Actuating force 500 N
- Nominal voltage AC/DC 24 V
- Control modulating, communicative DC 2...10 V Variable
- Stroke 20 mm
- Conversion of sensor signals
- Communication via Belimo MP-Bus




**Technical data**

<b>Electrical data</b>	Nominal voltage	AC/DC 24 V	
	Nominal voltage frequency	50/60 Hz	
	Nominal voltage range	AC 19.2...28.8 V / DC 21.6...28.8 V	
	Power consumption in operation	1.5 W	
	Power consumption in rest position	0.5 W	
	Power consumption for wire sizing	3 VA	
	Connection supply / control	Terminals 4 mm <sup>2</sup> (cable Ø 4...10 mm)	
	Parallel operation	Yes (note the performance data)	
	<b>Functional data</b>	Actuating force motor	500 N
Operating range Y		DC 2...10 V	
Operating modes optional		Open-close 3-point (AC only) Modulating (DC 0...32 V)	
Operating range Y variable		Start point DC 0.5...30 V End point DC 2.5...32 V	
Position feedback U		DC 2...10 V	
Position feedback U note		Max. 0.5 mA	
Position feedback U variable		Start point DC 0.5...8 V End point DC 2.5...10 V	
Position accuracy		±5%	
Manual override		with push-button, can be locked	
Stroke		20 mm	
Running time motor		150 s / 15 mm (200 s / 20 mm)	
Running time motor variable		90...150 s	
Adaption setting range		manual (automatic on first power-up)	
Adaption setting range variable		No action Adaption when switched on Adaption after pushing the gear disengagement button	
Override control		MAX (maximum position) = 100% MIN (minimum position) = 0% ZS (intermediate position, AC only) = 50%	
Override control variable		MAX = (MIN + 33%)...100% MIN = 0%...(MAX - 33%) ZS = MIN...MAX	
Sound power level, motor		45 dB(A)	
Position indication		Mechanically, 5...20 mm stroke	
<b>Safety</b>		Protection class IEC/EN	III Safety Extra-Low Voltage (SELV)
		Protection class UL	UL Class 2 Supply
	Degree of protection IEC/EN	IP54	
	Degree of protection NEMA/UL	NEMA 2, UL Enclosure Type 2	
	EMC	CE according to 2014/30/EU	
	Certification IEC/EN	IEC/EN 60730-1 and IEC/EN 60730-2-14	
	Certification UL	cULus according to UL60730-1A, UL60730-2-14 and CAN/CSA E60730-1:02	
	Mode of operation	Type 1	
	Rated impulse voltage supply / control	0.8 kV	
	Control pollution degree	3	
	Ambient temperature	0...50 °C	

## Technical data

<b>Safety</b>	Non-operating temperature	-40...80 °C
	Ambient humidity	Max. 95% r.h., non-condensing
	Maintenance	Maintenance-free
<b>Weight</b>	Weight	3.2 kg

## Safety notes



- This device has been designed for use in stationary heating, ventilation and air conditioning systems and must not be used outside the specified field of application, especially in aircraft or in any other airborne means of transport.
- Outdoor application: only possible in case that no (sea)water, snow, ice, insolation or aggressive gases interfere directly with the actuator and that is ensured that the ambient conditions remain at any time within the thresholds according to the data sheet.
- Only authorised specialists may carry out installation. All applicable legal or institutional installation regulations must be complied during installation.
- The switch for changing the direction of motion and so the closing point may be adjusted only by authorised specialists. The direction of motion is critical, particularly in connection with frost protection circuits.
- The device may only be opened at the manufacturer's site. It does not contain any parts that can be replaced or repaired by the user.
- The device contains electrical and electronic components and must not be disposed of as household refuse. All locally valid regulations and requirements must be observed.

## Product features

<b>Mode of operation</b>	<p>Conventional operation: The actuator is connected with a standard modulating signal of DC 0...10V and drives to the position defined by the positioning signal. The measuring voltage U serves for the electrical display of the actuator position 0...100% and as slave control signal for other actuators.</p> <p>Operation on the MP-Bus: The actuator receives its digital positioning signal from the higher level controller via the MP-Bus and drives to the position defined. Connection U serves as communication interface and does not supply an analogue measuring voltage.</p>
<b>Converter for sensors</b>	Connection option for a sensor (passive or active sensor or switching contact). The MP actuator serves as an analogue/digital converter for the transmission of the sensor signal via MP-Bus to the higher level system.
<b>Parameterisable actuators</b>	The factory settings cover the most common applications. Single parameters can be modified with the Belimo Service Tools MFT-P or ZTH EU.
<b>Installation on third-party valves</b>	The retrofit actuators for installation on a wide range of valves from various manufacturers are comprised of an actuator, bracket, universal valve neck adapter and universal valve stem adapter. Adapt the valve neck and valve stem to begin with, then attach the retrofit bracket to the valve neck adapter. Now fit the retrofit actuator into the bracket and connect it to the valve. Whilst taking the position of the valve closing point into account, secure the actuator to the bracket and then conduct the commissioning process. The valve neck adapter/actuator can be rotated through 360° on the valve neck, provided it is permitted by the size of the installed valve.
<b>Installation on Belimo valves</b>	Use standard actuators from Belimo for mounting on Belimo globe valves. The installation of retrofit actuators on Belimo globe valves is technically possible.
<b>Manual override</b>	<p>Manual override with push-button possible (the gear is disengaged for as long as the button is pressed or remains locked).</p> <p>The stroke can be adjusted by using a hexagon socket screw key (4 mm), which is inserted into the top of the actuator. The stroke spindle extends when the key is rotated clockwise.</p>
<b>High functional reliability</b>	The actuator is overload protected, requires no limit switches and automatically stops when the end stop is reached.
<b>Position indication</b>	The stroke is indicated mechanically on the bracket with tabs. The stroke range adjusts itself automatically during operation.

**Product features**

<b>Home position</b>	<p>Factory setting: Actuator spindle is retracted.</p> <p>The first time the supply voltage is switched on, i.e. at the time of commissioning, the actuator carries out an adaption, which is when the operating range and position feedback adjust themselves to the mechanical setting range.</p> <p>The actuator then moves into the position defined by the positioning signal.</p>
<b>Setting direction of stroke</b>	<p>When actuated, the direction of stroke switch changes the running direction in normal operation.</p>
<b>Adaption and synchronisation</b>	<p>An adaption can be triggered manually by pressing the “Adaption” button or with the PC-Tool. Both mechanical end stops are detected during the adaption (entire setting range).</p> <p>Automatic synchronisation after pressing the gearbox disengagement button is configured. The synchronisation is in the home position (0%).</p> <p>The actuator then moves into the position defined by the positioning signal.</p> <p>A range of settings can be adapted using the PC-Tool (see MFT-P documentation)</p>

**Accessories**

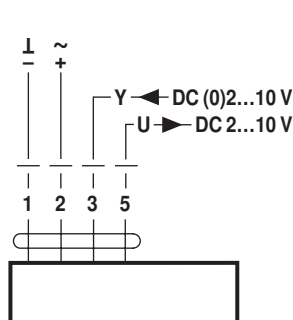
<b>Gateways</b>	<p><b>Description</b></p> <hr/> <p>Gateway MP for BACnet MS/TP, AC/DC 24 V                  Gateway MP to Modbus RTU, AC/DC 24 V                  Gateway MP to LonWorks, AC/DC 24 V, LonMark certified                  Gateway MP to KNX, AC/DC 24 V, EIBA certified</p>
<b>Electrical accessories</b>	<p><b>Description</b></p> <hr/> <p>Auxiliary switch, 2 x SPDT, add-on, grey                  Connecting cable 5 m, A+B: RJ12 6/6, To ZTH EU                  Connection cable 5 m, A: RJ11 6/4, B: Free wire end, To ZTH EU                  Connecting board MP bus suitable for wiring boxes EXT-WR-FP..-MP</p>
<b>Service Tools</b>	<p><b>Description</b></p> <hr/> <p>Service tool for parametrisable and communicative Belimo actuators / VAV controller and HVAC performance devices                  Belimo PC-Tool, software for adjustments and diagnostics                  Adapter to Service Tool ZTH</p>

**Electrical installation**

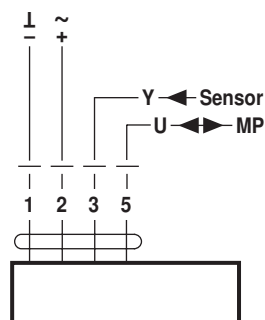
	<p><b>Notes</b></p> <ul style="list-style-type: none"> <li>• Connection via safety isolating transformer.</li> <li>• Parallel connection of other actuators possible. Observe the performance data.</li> <li>• Direction of stroke switch factory setting: Actuator spindle retracted.</li> </ul>
--	---

**Wiring diagrams**

AC/DC 24 V, modulating



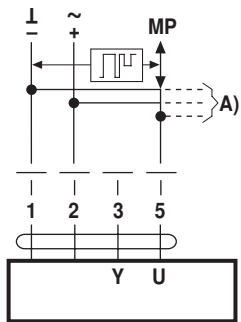
Operation on the MP-Bus



Functions

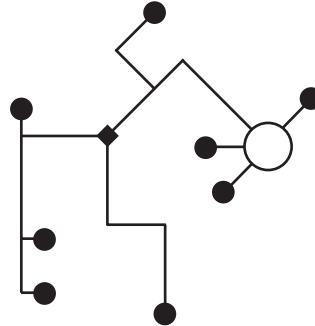
Functions when operated on MP-Bus

Connection on the MP-Bus



A) more actuators and sensors (max.8)

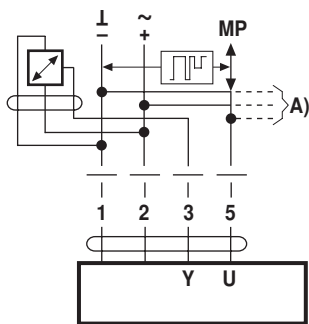
Network topology



There are no restrictions for the network topology (star, ring, tree or mixed forms are permitted).  
Supply and communication in one and the same 3-wire cable

- no shielding or twisting necessary
- no terminating resistors required

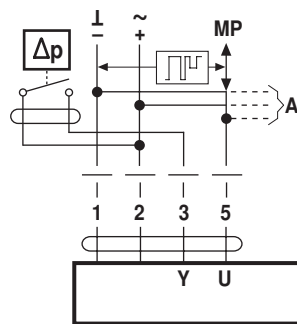
Connection of active sensors



A) more actuators and sensors (max.8)

- Supply AC/DC 24 V
- Output signal DC 0...10 V (max. DC 0...32 V)
- Resolution 30 mV

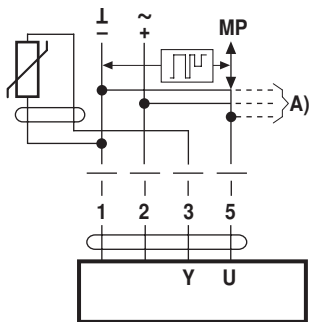
Connection of external switching contact



A) more actuators and sensors (max.8)

- Switching current 16 mA @ 24 V
- Start point of the operating range must be parameterised on the MP actuator as  $\geq 0.5$  V

Connection of passive sensors



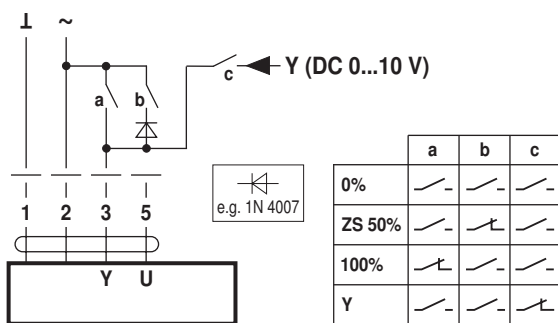
Ni1000	-28...+98°C	850...1600 $\Omega^2$ )
PT1000	-35...+155°C	850...1600 $\Omega^2$ )
NTC	-10...+160°C <sup>1)</sup>	200 $\Omega$ ...60 k $\Omega^2$ )

A) more actuators and sensors (max.8)

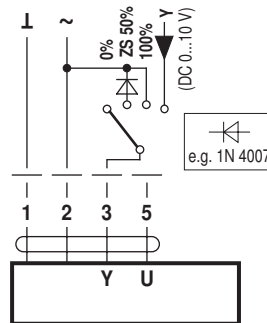
- 1) Depending on the type
- 2) Resolution 1 Ohm

Functions with basic values (conventional mode)

Override control with AC 24 V with relay contacts

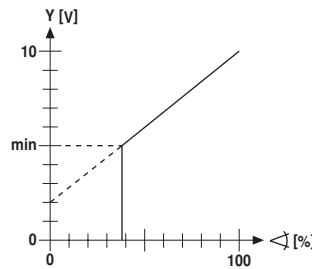
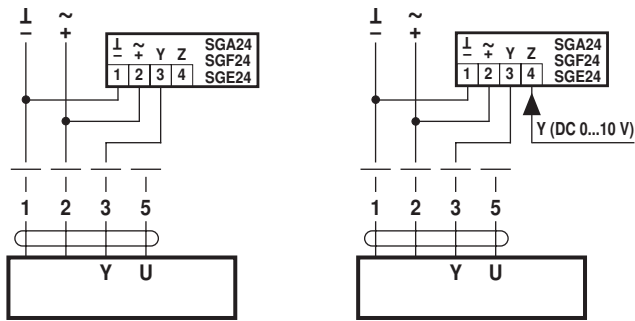


Override control with AC 24 V with rotary switch



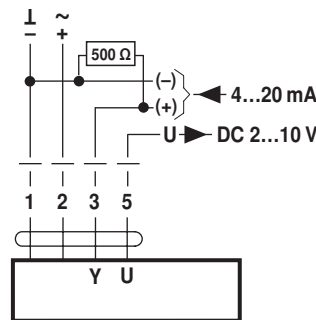
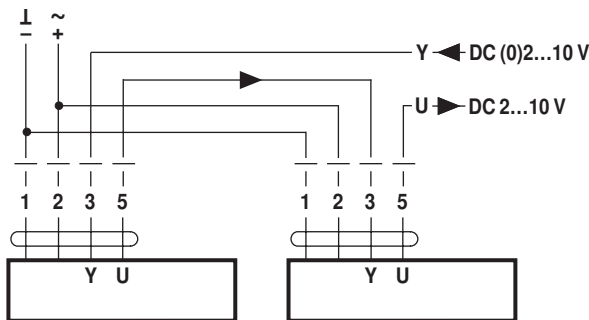
**Functions**

Remote control 0...100% with positioner SG.. Minimum limit with positioner SG..  
positioner SG..



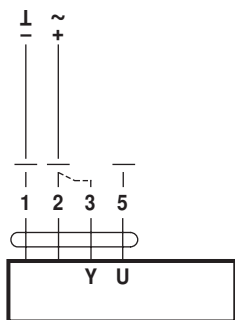
Follow-up control (position-dependent)

Control with 4...20 mA via external resistor



**Caution:**  
The operating range must be set to DC 2...10 V.  
The 500 Ω resistor converts the 4...20 mA current signal to a voltage signal DC 2...10 V

Functional check



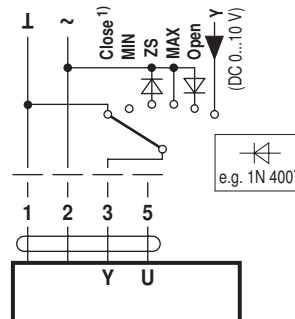
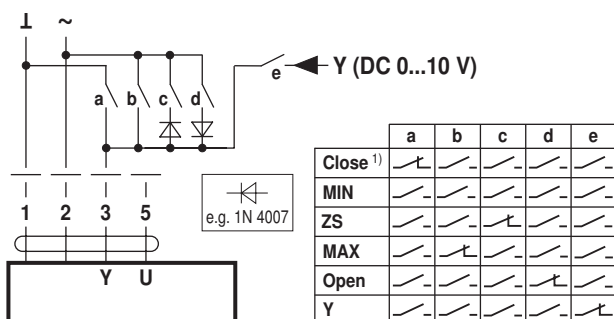
**Procedure**

1. Apply 24 V to connection 1 and 2
2. Disconnect connection 3:
  - with upwards direction of motion: closing point at top
  - with downwards direction of motion: closing point at bottom
3. Short circuit connections 2 and 3:
  - Actuator runs in the opposite direction

**Functions for actuators with specific parameters (Parametrisation with PC-Tool necessary)**

Override control and limiting with AC 24 V with relay contacts

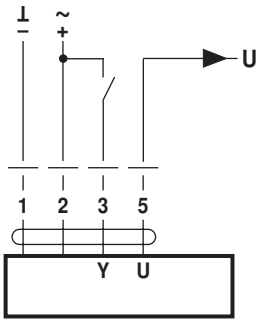
Override control and limiting with AC 24 V with rotary switch



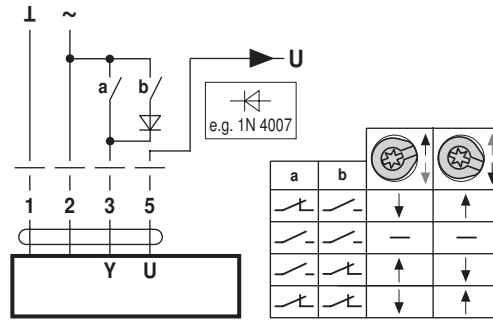
**1) Caution:** This function is only guaranteed if the start point of the operating range is defined as min. 0.5 V.

**Functions**

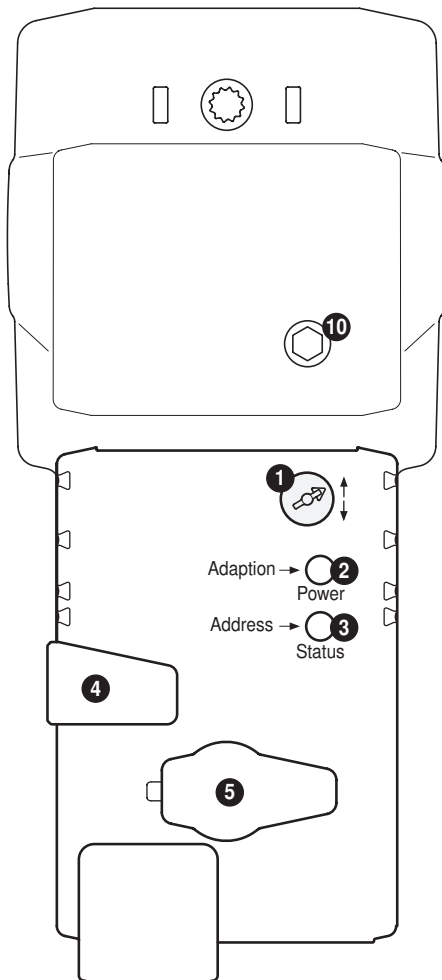
Control open-close



Control 3-point



**Operating controls and indicators**



**1 Direction of stroke switch**

Switch over: Direction of stroke changes

**2 Push-button and LED display green**

Off: No power supply or malfunction  
On: In operation  
Press button: Triggers stroke adaptation, followed by standard mode

**3 Push-button and LED display yellow**

Off: Standard mode  
Flickering: MP communication active  
On: Adaptation process active  
Flashing: Request for addressing from MP master  
Press button: Confirmation of the addressing

**4 Gear disengagement button**

Press button: Gear disengages, motor stops, manual override possible  
Release button: Gear engages, standard mode

**5 Service plug**

For connecting parameterisation and service tools

**10 Manual override**

Clockwise: Actuator spindle extends  
Counterclockwise: Actuator spindle retracts

**Check power supply connection**

**2** Off and **3** On Possible wiring error in power supply

## Service



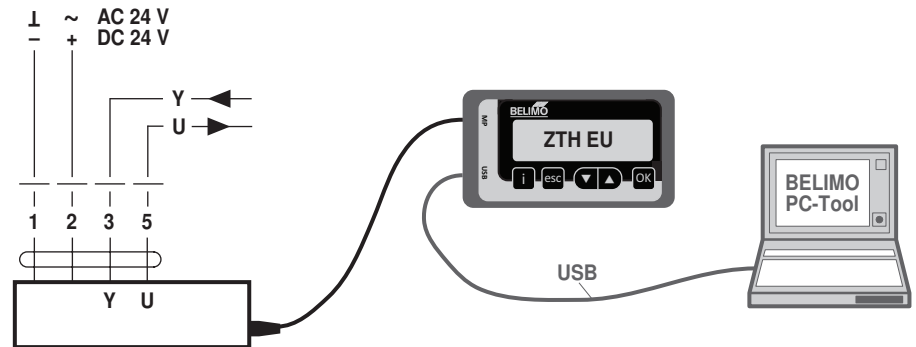
## Notes

- The actuator can be parameterised by PC-Tool and ZTH EU via the service socket.

## Service Tools connection

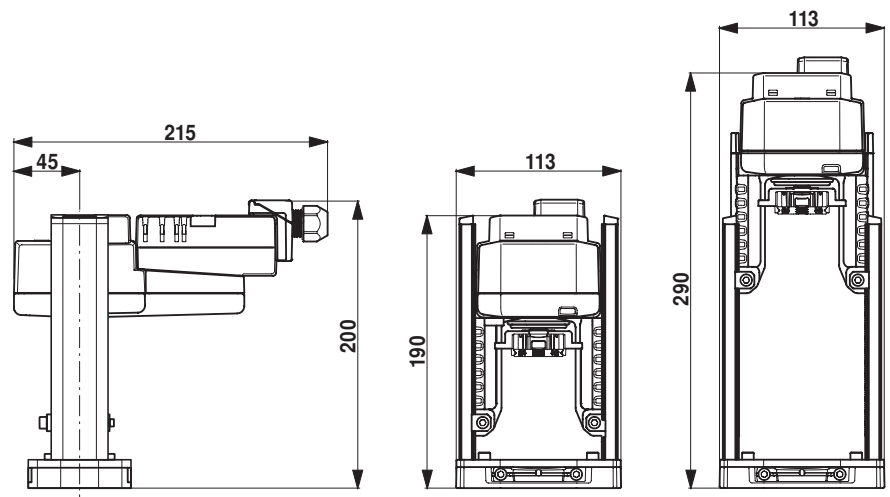
The actuator can be parameterised by ZTH EU via the service socket. For an extended parameterisation the PC tool can be connected.

Connection ZTH EU / PC-Tool



## Dimensions [mm]

## Dimensional drawings



## Further documentation

- Tool connections
- Introduction to MP-Bus Technology
- Overview MP Cooperation Partners
- Data sheets for globe valves